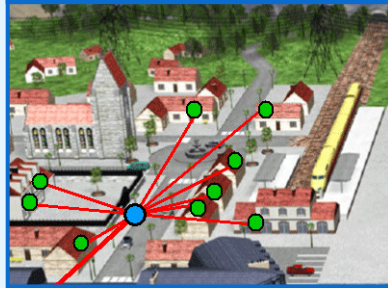


Example: **FTTx City Net residential**

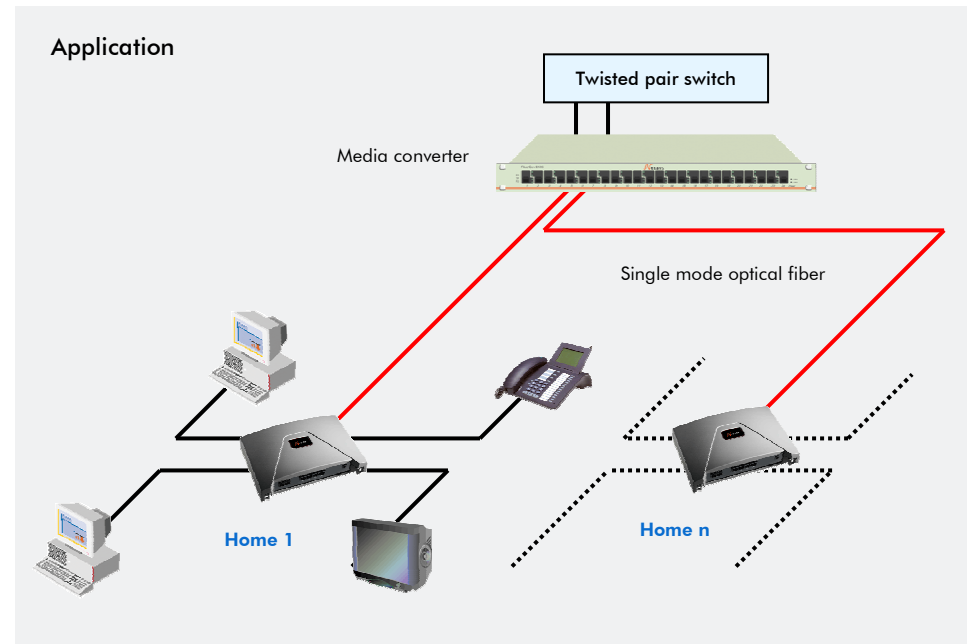


Problem:

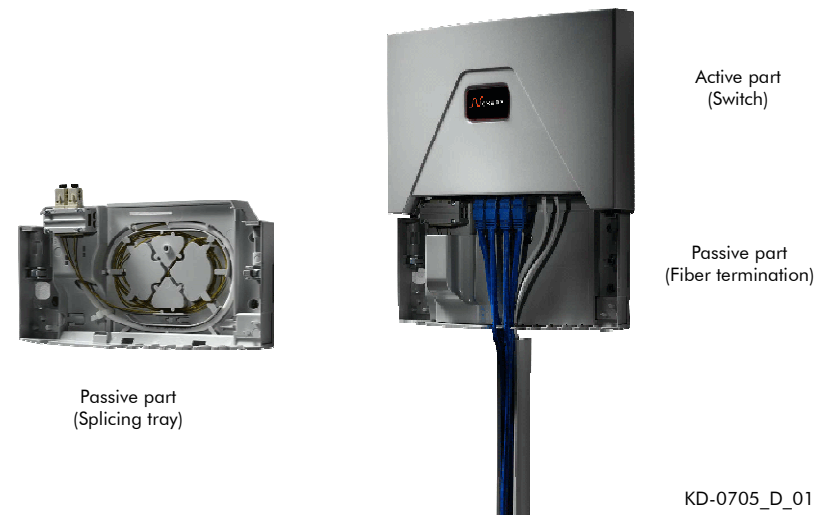
- Demand for higher data rates and Triple Play
- In xDSL access the possible distance to the subscribers is limited depending on bit rate and cable quality

Solution:

- FTTx bringing Optical Fiber Cables close to the subscriber or to the home
- Modular CPE-Systems with Optical Fiber Access
- Ethernet 10/100 Mbit/s and telephone (POTS) via fiber



Nexans CPE



Example:

Fiber to the Office

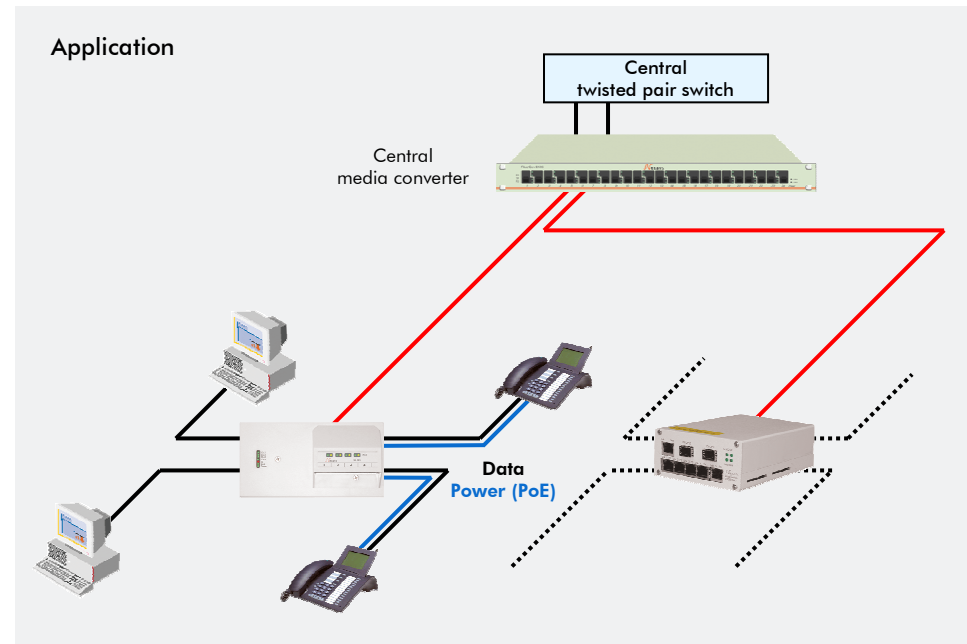


Problem:

- Existing infrastructure
- Limited space in cabling ducts
- Power for IP - telephones
- Authentication protocols like RADIUS required

Solution:

- Fiber to the Office using intelligent workgroup switches with optical fiber
- Integrated Power over Ethernet (PoE) to supply PoE-Telephones and Wireless Access Points
- Management and Security-functions (Radius ...)



**Nexans
FiberSwitch 100 BM+**



**Nexans
FiberSwitch 1000 BM+Desk**



Ethernet / Fast Ethernet / Gigabit Ethernet